



COOKER HOOD

USER HANDBOOK FOR INSTALLATION AND OPERATION

MODELS

BHC100

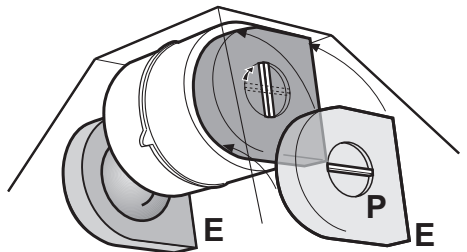
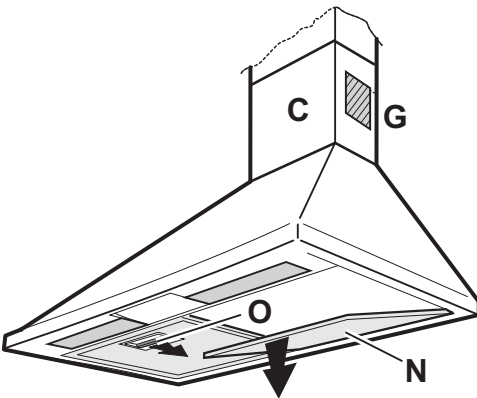
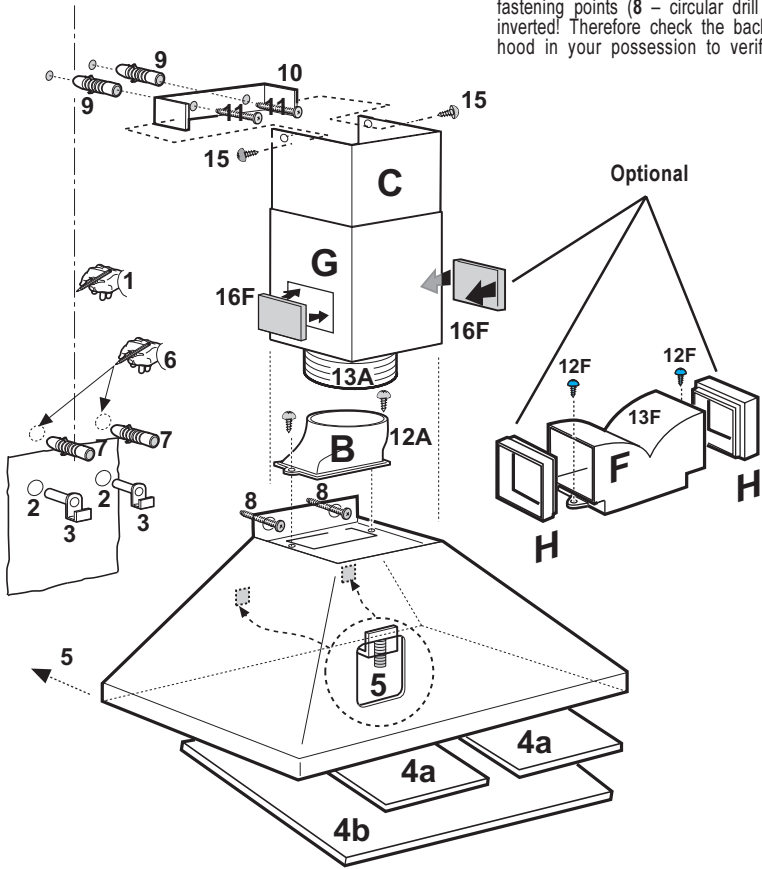
BHC60

BHC100K

BHC60K

Installation

Warning! The position of the hook points (5 – Rectangular perforations) or the compulsory fastening points (8 – circular drill holes) may be inverted! Therefore check the back of the cooker hood in your possession to verify the position.



GB INSTRUCTION ON MOUNTING AND USE

Consult the designs in the front pages referenced in the text by alphabet letters. **Closely follow the instructions set out in this manual.** All responsibility, for any eventual inconveniences, damages or fires caused by not complying with the instructions in this manual, is declined.

Installation

The cooker hood must be placed at a minimum distance of 60 cm from the cooking plane for electric cookers and 70cm for gas or mixed cookers.

Do not tile, grout or silicone this appliance to the wall. Surface mounting only.

Do not fix chimney flue to furniture or fly over shelves unless the chimney flue can be easily removed, in case maintenance is ever required.

Use

The cooker hood is provided with an upper air exit **B** for discharging fumes externally for models including chimney flue **C** (**Suction Version A-** exhaust pipe **13A** not supplied). In the instance where it is not possible to discharge cooking fumes and vapours externally even if utilising the model with chimney flue **C**, the cooker hood may be used in the **filter version F** by mounting two active carbon filters **E**, the fumes and vapours are then recycled via the upper grill **G** (depending on the model the grill may be directly placed on the chimney flue or via the mounting of two small grills – **16F**). If in possession of a model with grill placed on chimney flue then two **H** extensions must be placed on the deflector **13F**. The models provided with small dome **D** may only be used in the **filter version F**.

Electrical connection

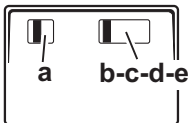
The electrical tension must correspond to the tension noted on the label placed inside the cooker hood. Connect the electrical plug, where provided, to the an easily accessible outlet in conformity with local standards in force.

Where an electrical plug is not provided (for direct connection to electrical network) place a standards approved bipolar switch with an aperture distance of not less than 3mm (accessible) from the contacts.

Operation

The cooker hood is provided with a key or pushbutton control panel situated of the frontal part of the cooker hood, depending on the basis of the cooker hood type in possession. For proper operation consult the text below and the relative illustration:

- ON/OFF lighting
- OFF motors
- d - e. Minimum suction power (c.), medium (d.), maximum (e.).
- Operation warning light (where present).



Use the high suction speed in cases of concentrated kitchen vapours. It is recommended that the cooker hood suction is switched on for 5 minutes prior to cooking and to leave in operation during cooking and for another 15 minutes approximately after terminating cooking.

Maintenance

Prior to any maintenance operation ensure that the cooker hood is disconnected from the electrical outlet.

Cleaning

The cooker hood should be cleaned regularly internally and externally.

For cleaning use a cloth moistened with denatured alcohol or neutral liquid detergents. Avoid abrasive detergents.

Warning:

Failure to carry out the basic standards of the cleaning of the cooker hood and replacement of the filters may cause fire risks. Therefore we recommend observing these instructions.

Anti-grease Filter

Metallic filter must be cleaned once a month, with non abrasive detergents, by hand or in dishwasher on low temperature and short cycle.

Removed from its placing by pushing the handles **O** towards the back and sliding the filter **N** downwards.

When washed in a dish-washer, the grease filter may discolour slightly, but this does not affect its filtering capacity.

Carbon Filter

(2 pieces – only for filter version)

The active carbon filters **E** are not washable nor regenerative. It should be changed every 6 months in normal use.

The active carbon filters capture unpleasant cooking odours.

Apply one on each side covering both grills protecting the motor propeller, then turn the filter central handles **P** clockwise. In order to dismantle turn the central handle **P** anti-clockwise for each filter.

Replacing lightbulbs

Remove the anti-grease filter support grill or the anti-grease filter to attain access to the lightbulb area. Remove the damaged lightbulb and replace with an incandescent oval bulb max. 40W E14.

If the cooker-hood comes with a halogen light, take off its protection by unscrewing (**Z1**) or by removing it (**Z2** lifting with a small flat edged screwdriver). Remove the damaged bulb and substitute it with a max 20W halogen bulb (G4).

Caution

This appliance is designed to be operated by adults. Children should not be allowed to tamper with the controls or play with the appliance. Do not use the cooker hood where the grill is not correctly fixed! The suctioned air must not be conveyed in the same channel used for fumes discharged by appliances powered by other than electricity. The environment must always be adequately aerated when the cooker hood and other appliances powered by other than electricity are used at the same time. Flambé cooking with a cooker hood is prohibited. The use of a free flame is damaging to the filters and may cause fire accidents, therefore free flame cooking must be avoided. Frying of foods must be kept under close control in order to avoid overheated oil catching fire. Carry out fumes discharging in accordance with the regulations in force by local laws for safety and technical restrictions.

Key Contacts

Service

With the largest appliance manufacturer's service team in Europe, trained specialists directly employed by us to ensure your complete confidence.

Repair Service

UK: 08709 066 066

Republic of Ireland: 1850 302 200

You will be asked for the following information:-

Name, address and postcode.

Telephone number

Model / Serial number of the appliance

Clear and concise details of the query or fault

Place and Date of purchase

(Please keep the receipt as evidence will be required when the engineer calls).

Extended Warranty

To join: UK 08709 088 088

Republic of Ireland: 1850 502 200

Genuine Parts & Accessories

Mail Order Hotline

UK: 08709 077 077

Republic of Ireland: (01) 842 6836

For further product information 08701 54 64 74

All Services are offered as an extra benefit and do not affect your statutory rights.



General Domestic Appliances Limited, Morley Way, Peterborough, PE2 9JB